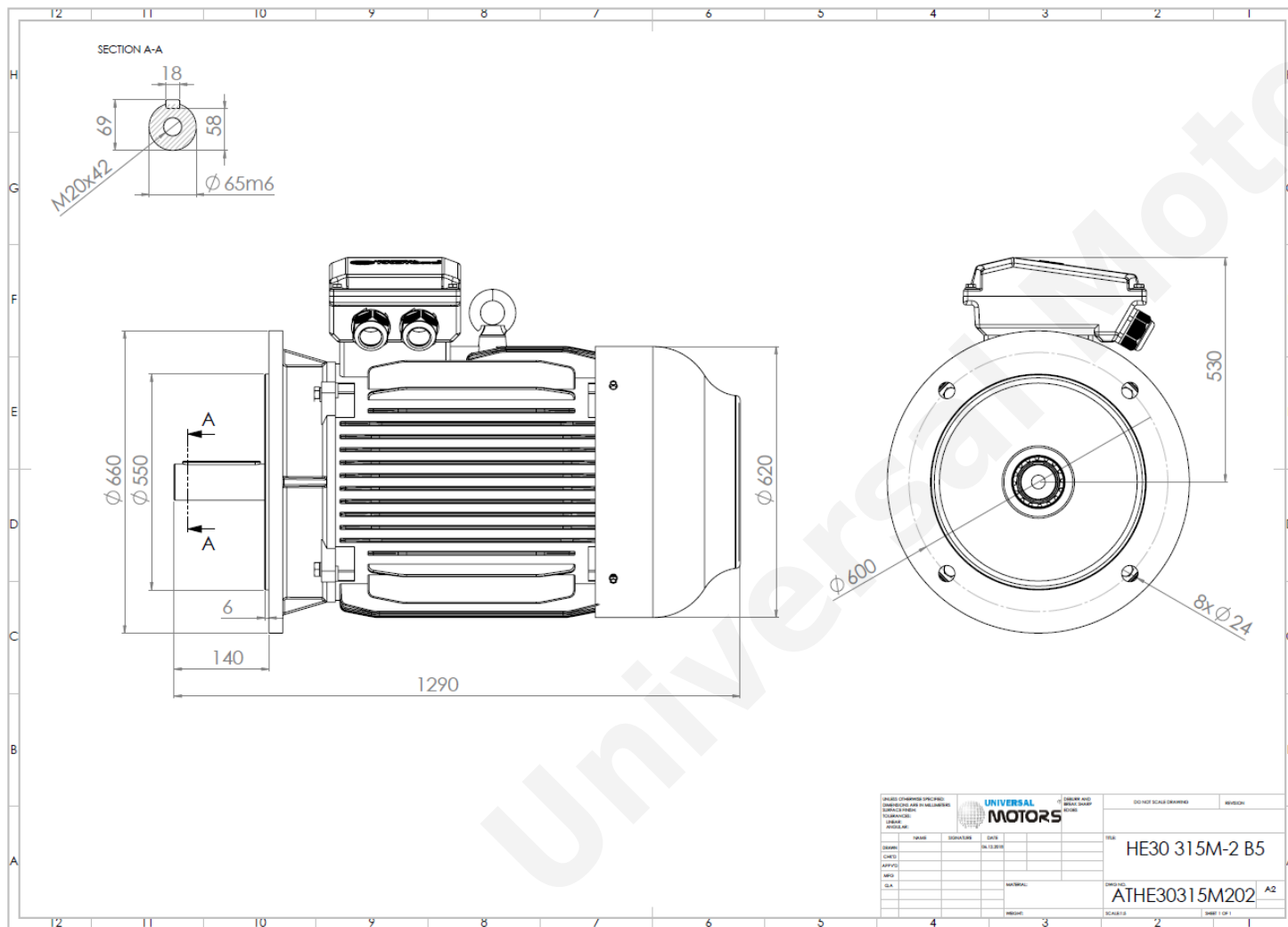




TECHNICAL DATA

Three Phase Electric Motors - Cast Iron Frame
 HE30 315M-2 IE2
 132 kW / 180 Cv
 2975 RPM



Motor type:	HE30 315M-2 IE2
Output:	132 kW / 180 Cv
Speed (min ⁻¹):	2975 RPM
Frequency:	50 Hz
Voltage:	400 V
Current:	224 A
Power factor (Cos Ø):	0.90
Poles:	2
Insulation class:	F
Temperature rise Class:	B
Efficiency 50%:	93.2 %
Efficiency 75%:	94.8 %
Efficiency 100%:	94.6 %
Torque:	424 N.m
Tstarting/Tnominal:	2.0
Istarting/Inominal:	7.1
Tmaximum/Tnominal:	2.2
Noise:	81 Db(A)
Weight:	930 Kg
Bearing DE:	6317 C3
Bearing NDE:	6317 C3

UNIVERSAL MOTORS		UNIVERSAL MOTORS	
DESIGNER	DATE	REVISION	DATE
CHECKED			
APPROVED			
DATE			
SCALE			
HE30 315M-2 B5		A2	
ATHE30315M202		A2	

Regime - S1

Altitude - 1000m

Environment Temperature - 40°C

CONTACTS:

UNIVERSAL MOTORS Tel: +351 252 299 080
 Rua de São Brás,745 Fax: +351 252 299 089
 4480-782 VILA DO CONDE Mail: geral@universalmotors.pt

* References applied only in the UK